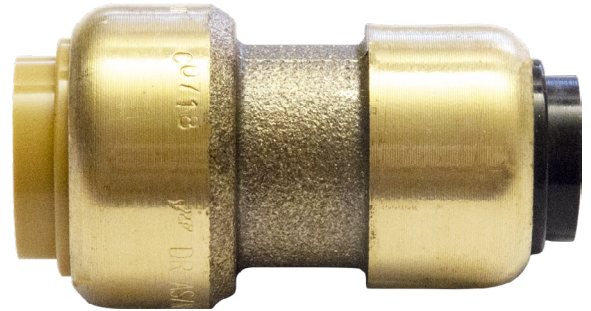


Conversion Couplings

Scope of Use / Specification Sheet

SharkBite® plumbing fittings and pipe are manufactured in Australia at RWC's state of the art facilities. Stringent quality control and advanced manufacturing procedures guarantee product satisfaction.

SharkBite® is an advanced design push-to-connect plumbing system for potable water distribution. SharkBite® is available in an assortment of over 200 fittings and PEX pipe ranging from 16-25mm size. SharkBite® has been engineered with ease of use and disconnection in mind and while being the most dependable way to join copper and PEX Pipe in any combination – with no soldering, clamps, unions or glue.



F009

Features and Benefits

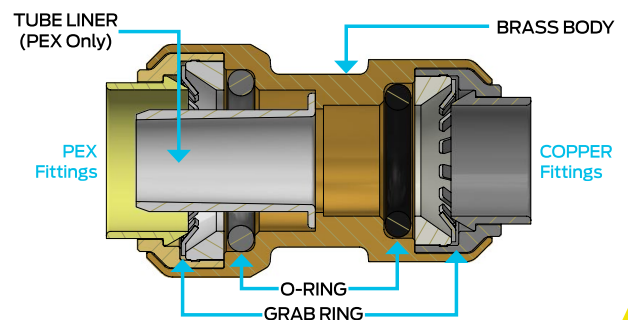
- Quick and easy to install in both wet or dry conditions
- No expensive tools required - supplied ready for installation
- Approved for behind the wall application
- Approved for underground installation with SharkBite Silicone Wrap (F708)
- Instant push-to-connect connection. Cut. Push. Done.
- Removable after installation
- Integral tube liner for PEX installations means no loose components and ensures a secure reliable connection

Product Code

| Code | Size / Model |
|--------|--------------------------|
| F009 | 16mm x DN15Cu |
| F017 | 20mm x DN20Cu |
| F009PX | 16mm x 16mm SDR7.4 |
| F017PX | 20mm x 20mm SDR7.4 |
| F009PB | 16mm x 18mm Polybutylene |
| F017PB | 20mm x 22mm Polybutylene |
| F009AP | 16mm x 16mm SDR9 |
| F017AP | 20mm x 20mm SDR9 |
| F061 | 25mm (DN25Cu) x DN20Cu |

Materials

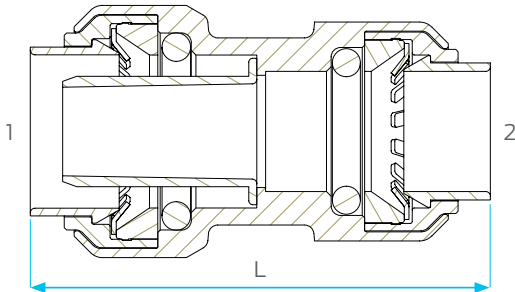
| | |
|------------|---------------------------------|
| Body | DZR Brass |
| Grab Ring | 316 Stainless Steel |
| O-Ring | EPDM |
| Tube Liner | Polysulfone (PEX fittings only) |



25 YEAR
GUARANTEE

All SharkBite fittings are guaranteed against defects in materials or manufacturing for a period of 25 years from the date of purchase.

Conversion Couplings



Working Pressures and Temperatures

| Pipe | Pressure/Temperature | |
|----------|--|--|
| PEX SDR9 | Designed for operating at 2000kPa / 20°C | Max operating values of 1000kPa / 70°C |

Installation

Installation is subject to the requirements of the applicable regulatory authority, the National Construction Code Volume Three – Plumbing Code of Australia, associated reference standards as applicable at the time and AS/NZS 3500.1.

Standards and Approvals



AS/NZS 4020, AS/NZS 2537.2
AS 2492 & AS 3688

Model Dimensions

| Code | 1 | 2 | L |
|--------|----------------|-----------------|----|
| F009 | 16 OD | DN15Cu | 49 |
| F017 | 20 OD | DN20Cu | 59 |
| F009PX | 16 OD SDR9 | 16 OD SDR7.4 | 49 |
| F017PX | 20 OD SDR9 | 20 OD SDR7.4 | 59 |
| F009PB | 16 OD | 18mm Poly/Bute | 49 |
| F017PB | 20 OD | 20 OD Poly/Bute | 59 |
| F009AP | 16 OD | 16 OD SDR9 PEX | 49 |
| F017AP | 20 OD | 20 OD SDR9 PEX | 59 |
| F061 | 25 OD (DN25Cu) | DN20Cu | 59 |

Note: All measurements in mm unless otherwise stated.

PEX Dimensions

| Nominal Outside Diameter | 16mm | 20mm | 25mm |
|---------------------------|--------|--------|--------|
| Average Wall Thickness | 2.15mm | 2.45mm | 3.00mm |
| Average Internal Diameter | 11.7mm | 15.2mm | 19.1mm |

Warranty

Reliance Worldwide Corporation (Aust.) Pty. Ltd. (RWC) will either replace or repair any defective goods where the defect arose as a result of manufacture within the warranty period. You may contact RWC at the phone number, address or e-mail shown below for further information or to make a claim.

Visit www.rmc.com.au/warranty to view the warranty statement in full and for further important information.